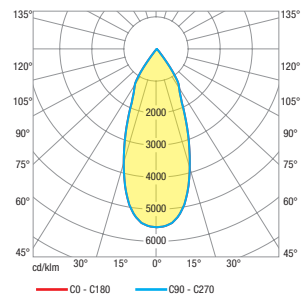
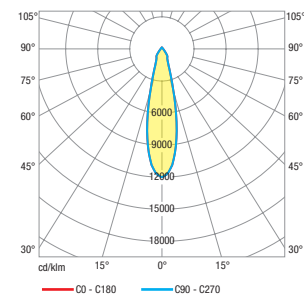
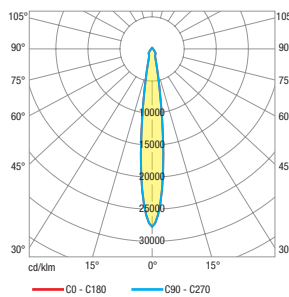
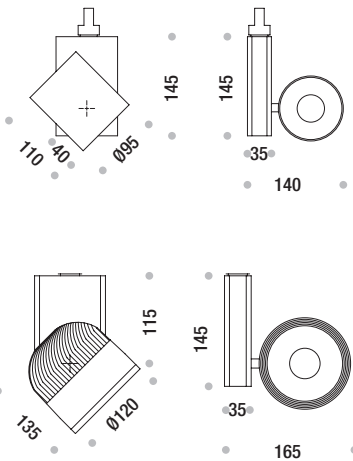




Designed with a balance of form, function and visual comfort.

LED track luminaire with a wide range of uses – for the lighting of specific objects in commercial, retail and public spaces, galleries and showrooms. Sophisticated design and functionality are in harmony with the flexibility and efficient LED technology.



CODE	POWER CONSUMPTION	LUMEN OUTPUT (lm)	COLOUR TEMPERATURE
ilumRoll	26W	2730	3000K
		2886	4000K
ilumRoll	33W	3465	3000K
		3663	4000K

LED Type	High efficiency LEDs, available in 2700K, 3000K, 4000K, 5000K, 6500K CCT tolerance within a 3-step MacAdams ellipse and LM80 compliant. Up to 126 lm/W. Tunable white technology 2.700K - 6.500K optional.
Nominal Voltage	220V-240V AC, 50/60Hz
Color Rendering Index	CRI > 80
Optics	High efficiency anodised aluminium reflector COB (Chip on Board) technology for maximum efficiency eliminating shadows with exceptional colour rendering and precise radiation characteristics.
Materials	Polyester powder coated paint finish die-cast aluminium housing and sheet metal cover with chemical chromatised protection.
Finishing	RAL9005, RAL9010, RAL9006, RAL9016.
LED Specification	L80B10 > 60.000 hours life time. Calculation for LED fixtures are based on measurements that comply with LM-80.
Energy Efficiency Class (EEC)	A++
Ambient Temperature	-20 °C to +45 °C
Control Systems	1-10V DIM, Switch Dim, DALI Interface. Bluetooth Wireless with Casambi technology.
Protection Class	IP20
Insulation Class	Class I
Options	Emergency lighting kit system.
Installation	3-Phase and Mono-Phase rail socket.
Conformity	Complies with European Standards EN 60598 and CE certified.