



### **PRODUCT FEATURES:**

iFluance series offer plug&play modular and adaptable linear illumination solutions. All components are perfectly matched, both optically and mechanically to achieve a wide variety of combinations.

The line is available with a unique asymmetric beam, double asymmetric beam, oval beam, wide beam distribution, providing exceptional uniformity and brightness for facades.

Designed to last in extremely harsh environments.

### **RECOMMENDATIONS FOR THE USER:**

- 1) Before the installation, make sure that there is no voltage.
- 2) Do not touch the fitting when it is working on / switched on
- 3) Do not look at the fitting directly or from a short distance.
- 4) Disconnect / switch off the fitting before changing the lamps

### **NOTES:**

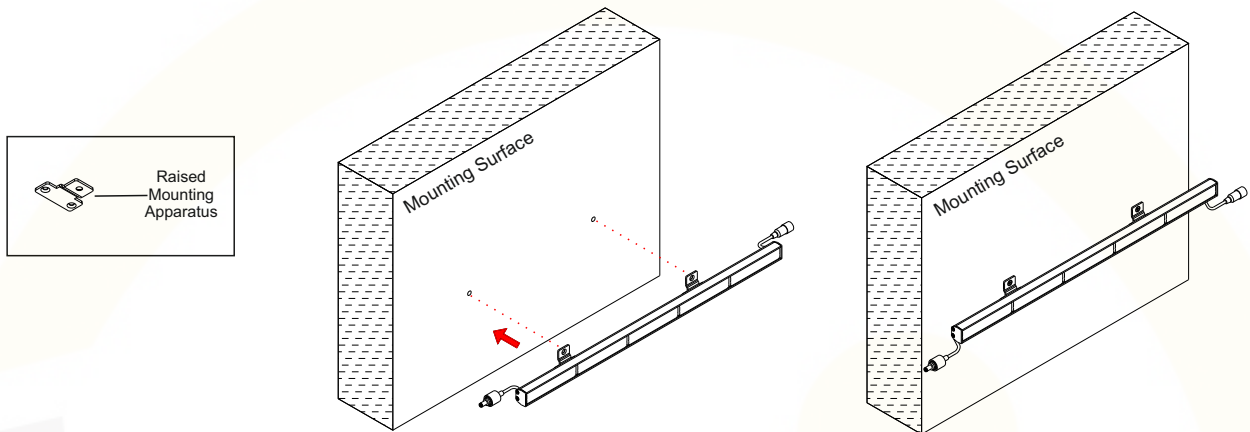
- Technical amendments are reserved.
- CE – Conformity mark
- The manufacturer is then discharged from liability when damage is caused by improper use or installation.
- Clean luminaire regularly with solvent-free cleansers from dirt and deposits. Do not use high pressure cleaners.

**1) With raised mounting bracket;**

*Suitable for; AR4482-AR4484-AR4486*

*Mounting surface; Suitable for floor, wall and ceiling.*

- Make holes on the wall equal to mounting apparatus and fix the plugs.
- Screw the luminaire to the wall.
- Make the electrical connection ( Page 4 )

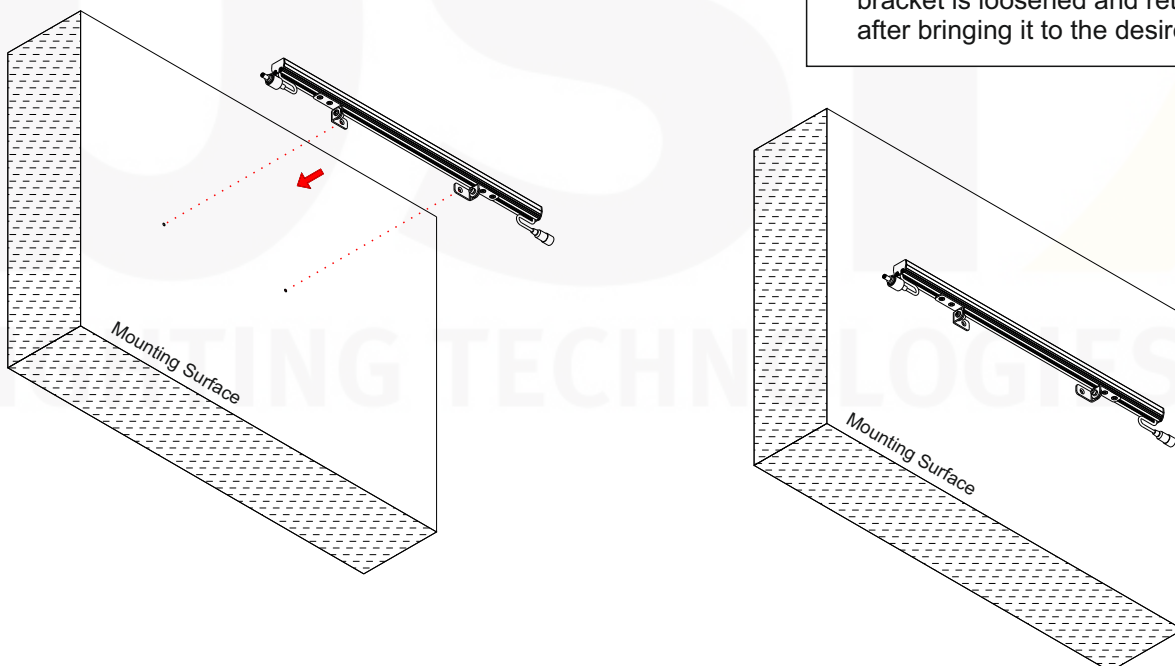
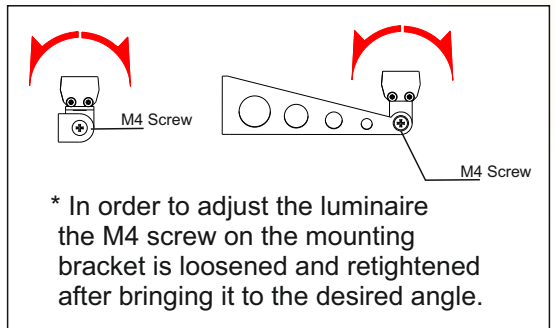


**2) With short adjustable mounting bracket;**

*Suitable for; AR4482-AR4484-AR4486*

*Mounting surface; Suitable for floor, wall and ceiling.*

- Make holes on the wall equal to mounting apparatus and fix the plugs.
- Screw the luminaire to the wall and adjust the angle.
- Make the electrical connection. ( Page 5 )

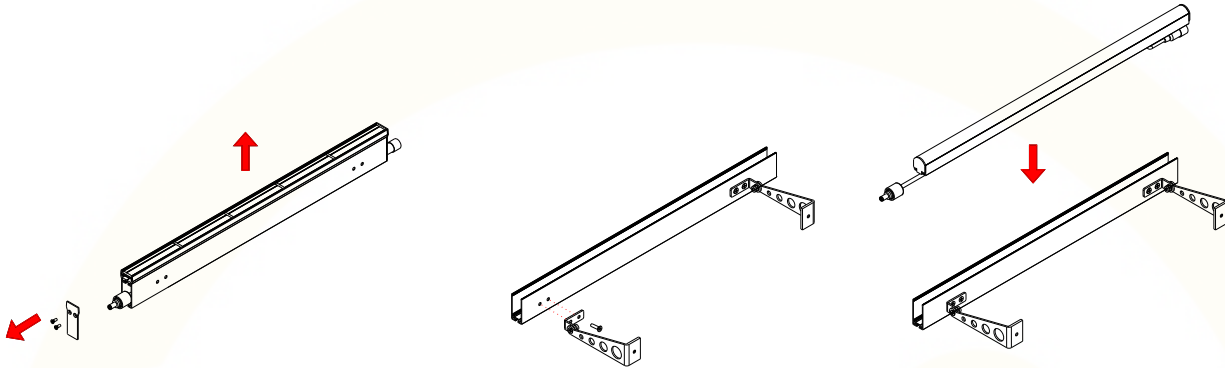
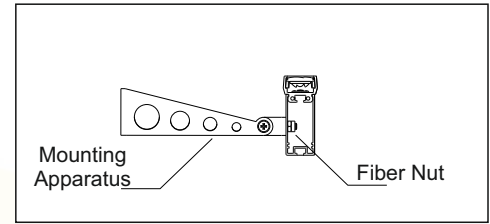


**3) With long adjustable mounting bracket;**

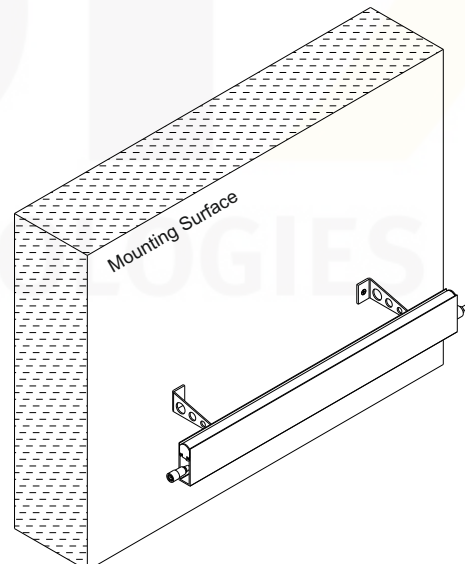
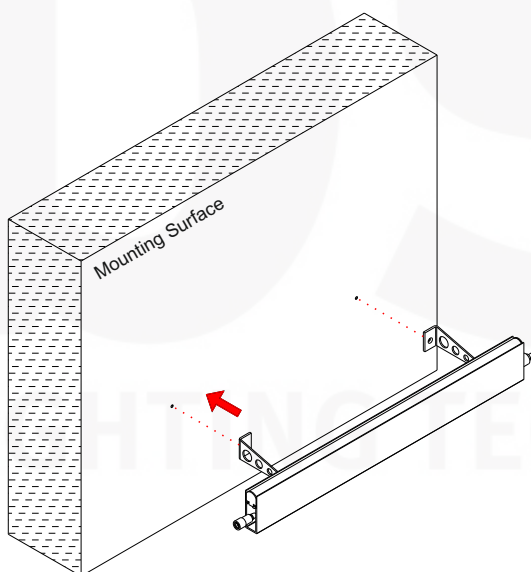
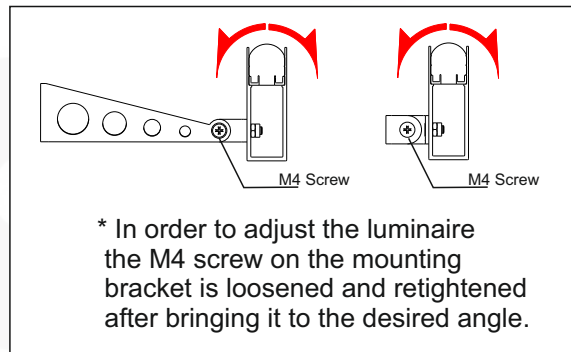
*Suitable for; AR4486*

*Mounting surface; Suitable for floor, wall and ceiling.*

- The luminaire is removed from the outer case.
- The mounting bracket is screwed into the outer case.
- The luminaire is again seated in the outer case.

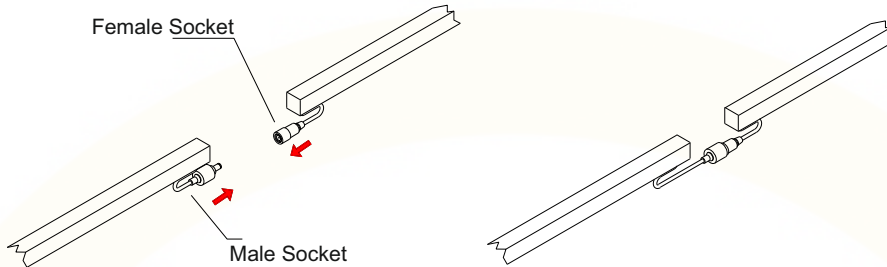


- Make holes on the wall equal to mounting apparatus and fix the plugs.
- Screw the luminaire to the wall.
- Adjust the luminaire to the desired angle.
- Make the electrical connection. ( Page 4 )

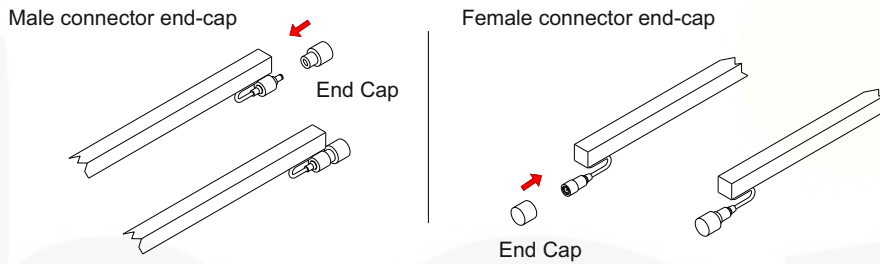


**- Electrical Connection;**

- The luminaires are connected to each other with female & male connectors.

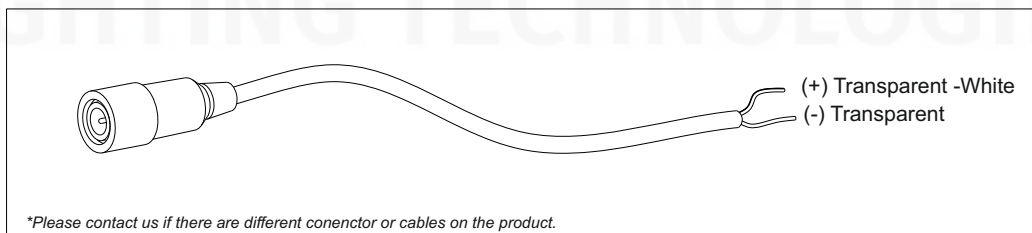
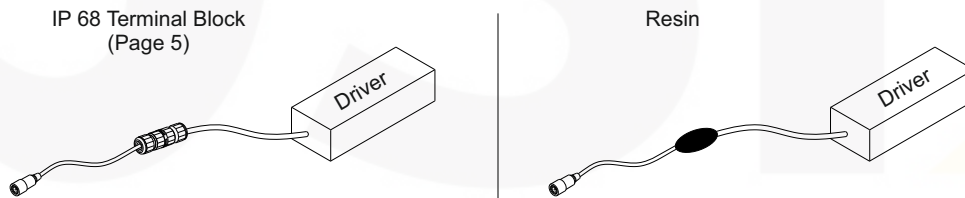


- IP protection is done with end-cap mounting to the final luminaire connector.



**- Driver connection;**

- The extra male or female connector is connected to the output of the driver cable.



*\*Please contact us if there are different connector or cables on the product.*

**TH9**  
**2-3-4 POLES**

**1**

ADAPTER HOLE  
Ø 9.0 mm

**2**

**Screw terminals**

**2-3-4 POLES**

①	←	①
②	←	②
③	←	③
⊕ ④	←	④

**2.1**  
**Piercing terminals version**

**No unsheathing**

**3**

**4**

### **Considerations**

- Do not cut-off or damage the cables of the products supplied as sockets. Otherwise, water may enter to the luminaire through cable and damage the electronic parts inside.
- If you make the electrical connection, except for IP.68 Terminal Block - IP.68 Plug connector - IP.68 socket; the connections must be under IP protection. Otherwise, water may enter to the luminaire through cable and damage the electronic parts inside.
- The IP68 Connecting kits must be assembled in accordance with the installation instructions. Otherwise, water may enter to the luminaire through cable and damage the electronic parts inside.

### **Out of Warranty Situations**

- Product last output cable is not protected IP67-IP68.
- Faulty electrical connection.
- Wrong IP68 socket-terminal block- plug connector connection.  
(Wrong opening of the cable length, faulty tightening the screws etc.)
- If the IP68 Connecting kits are under water.