

### **PRODUCT FEATURES:**

Ground recessed round LED luminaire for installation outdoor for walk over and drive over with high mechanical strength.  
Ideal to illuminate walking paths, squares or driveways.  
Designed to last in extremely harsh environments.

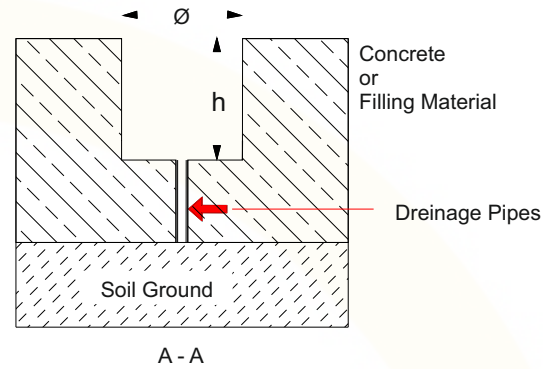
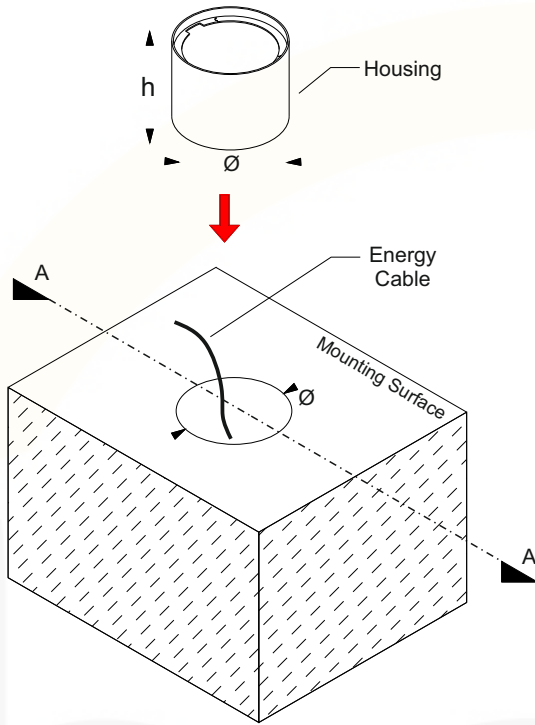
### **RECOMMENDATIONS FOR THE USER:**

- 1) Before the installation, make sure that there is no voltage.
- 2) Do not touch the fitting when it is working on / switched on
- 3) Do not look at the fitting directly or from a short distance.
- 4) Disconnect / switch off the fitting before changing the lamps

### **NOTES:**

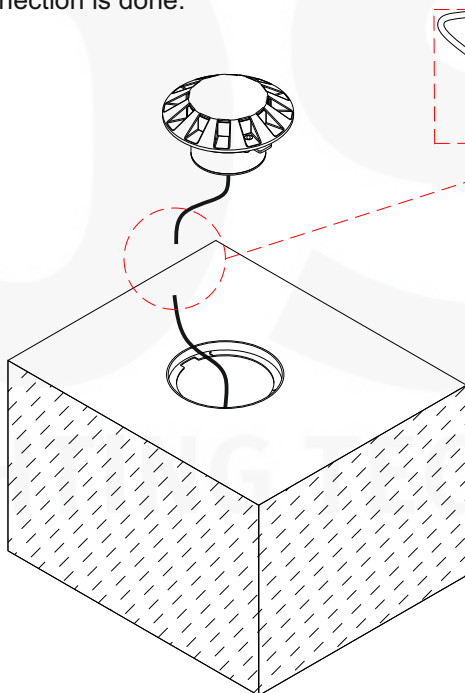
- Technical amendments are reserved.
- CE – Conformity mark
- The manufacturer is then discharged from liability when damage is caused by improper use or installation.
- Clean luminaire regularly with solvent-free cleansers from dirt and deposits. Do not use high pressure cleaners.

- 1) - Mounting hole is opens.  
- Complete the drainage and place the housing.



\*\*\* Mounting hole should be drained.

- 2) Electrical connection is done.



Resin or IP Terminal Block  
\*\*\*you must definitely protect the connection

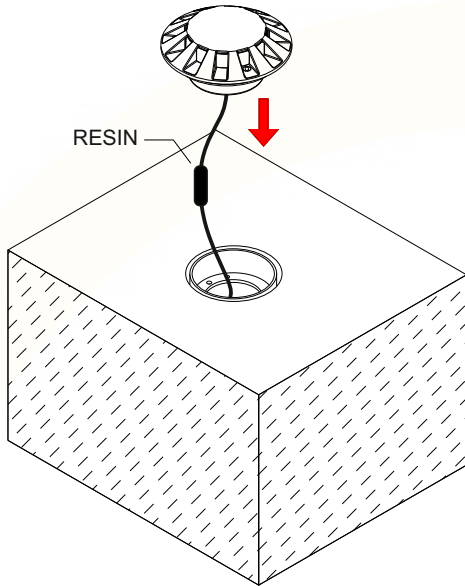
When connecting the luminaires, make sure that the same color cables are matching.

(+) Brown  
(±) Yellow - Green  
(-) Blue

\*Please contact us for cables if in different colors.



3) The luminaire is placed on the housing.



4) The luminaire is rotated like 30° and tightened the screws.

