



## **PRODUCT FEATURES:**

Rectangular shape LED lighting element and bollard with innovative technology and modern design.

iMistral-T offers outstanding light efficiency and integrates itself through the design into historic and modern surroundings with asymmetrical optics.

The LED system offers durability and optimal lumen output.

BSISQ LED Module integrated.

Designed to last in extremely harsh environments.

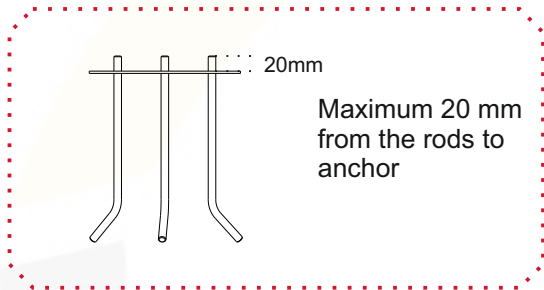
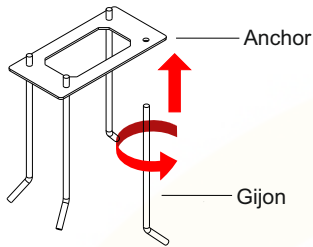
## **RECOMMENDATIONS FOR THE USER:**

- 1) Before the installation, make sure that there is no voltage.
- 2) Do not touch the fitting when it is working on / switched on
- 3) Do not look at the fitting directly or from a short distance.
- 4) Disconnect / switch off the fitting before changing the lamps

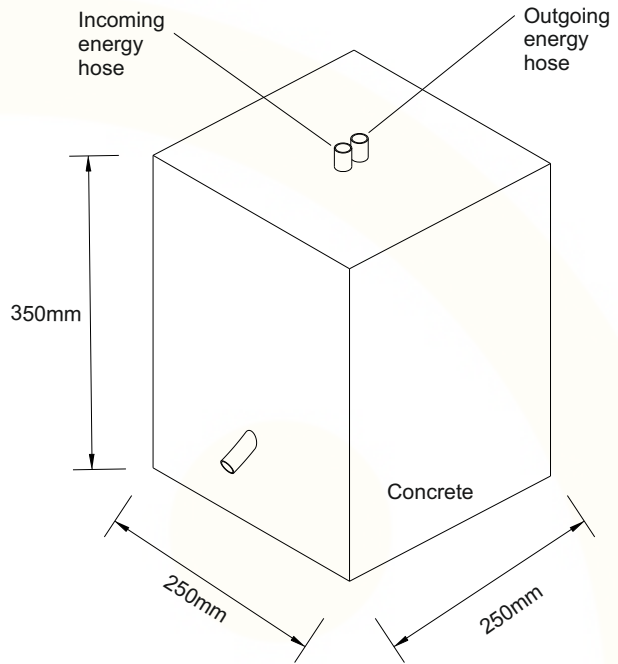
## **NOTES:**

- Technical amendments are reserved.
- CE – Conformity mark
- The manufacturer is then discharged from liability when damage is caused by improper use or installation.
- Clean luminaire regularly with solvent-free cleansers from dirt and deposits. Do not use high pressure cleaners.

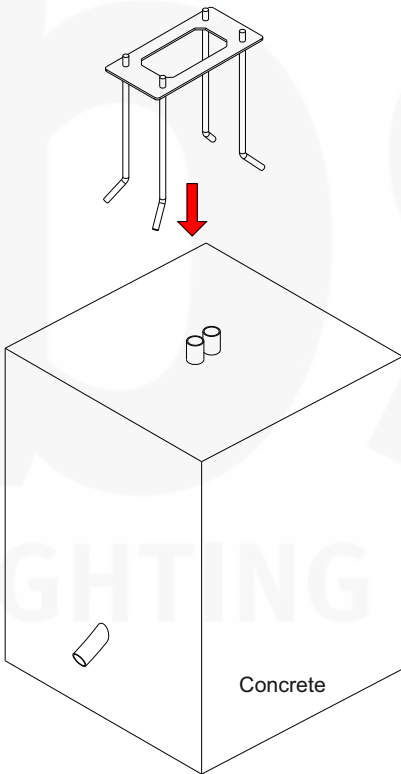
1) The gijons are screwed into the anchor.



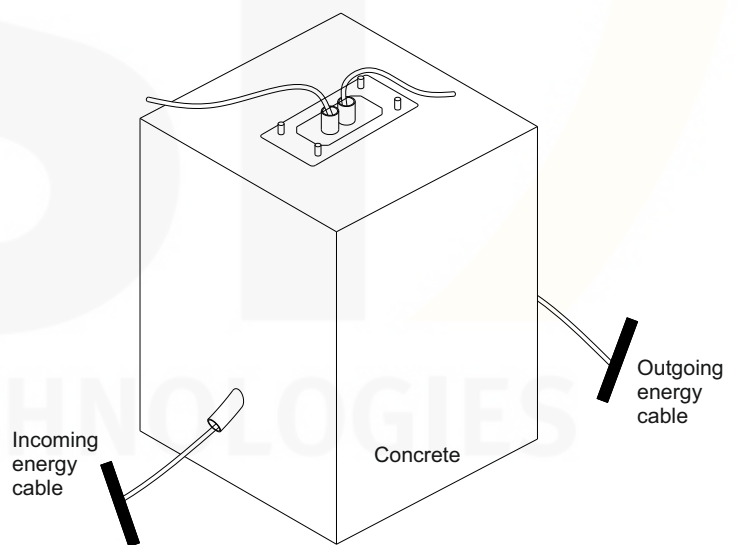
2) The incoming energy hoses are drawn to the installation floor and the concrete is poured



3) The prepared anchor is embedded in the concrete and leveled.

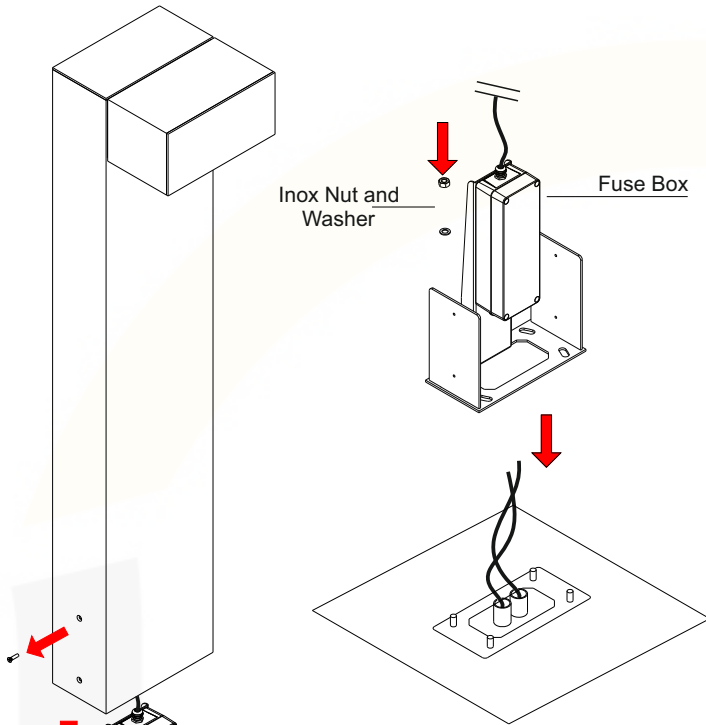


4) After the concrete is dried, the energy cable is done.



- 5) -Loosen the setscrews at the bottom of the luminaire and remove the flange from the luminaire.  
 -The flange is seated on the anchor and the new inox washer is tightened to the threads.

- 6) Electrical connection is done and luminaire is placed on the flange.



Inox Nut and Washer

Fuse Box

- 7) Luminaire is fixed to the flange with fastening the setscrews below.

