

PRODUCT FEATURES:

LED lighting with innovative technology and modern design. iMistral offers outstanding light efficiency and integrates itself through the design into historic and modern surroundings with wide beam asymmetrical optics. The LED system offers durability and optimal lumen output. BSISQ® LED Module integrated. Designed to last in extremely harsh environments.

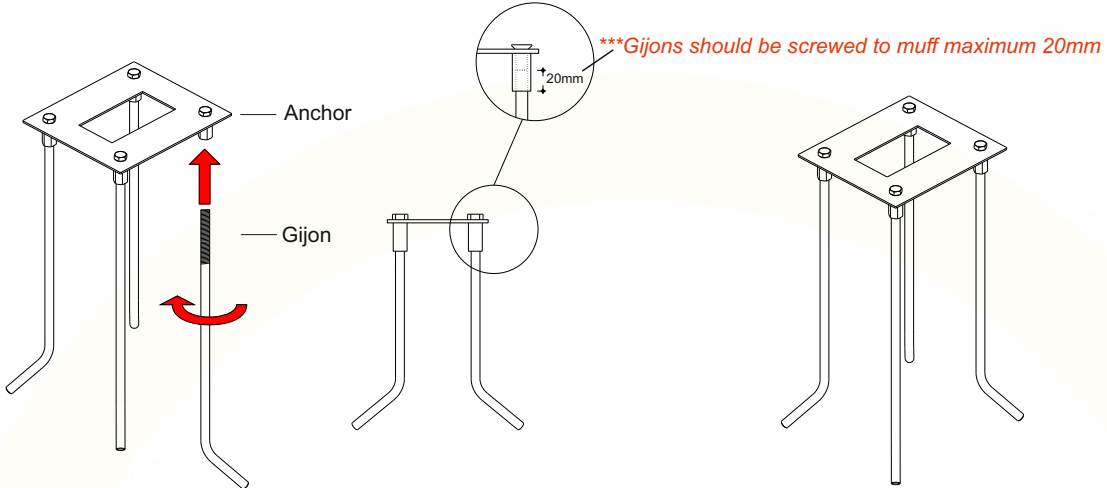
RECOMMENDATIONS FOR THE USER:

- 1) Before the installation, make sure that there is no voltage.
- 2) Do not touch the fitting when it is working on / switched on
- 3) Do not look at the fitting directly or from a short distance.
- 4) Disconnect / switch off the fitting before changing the lamps

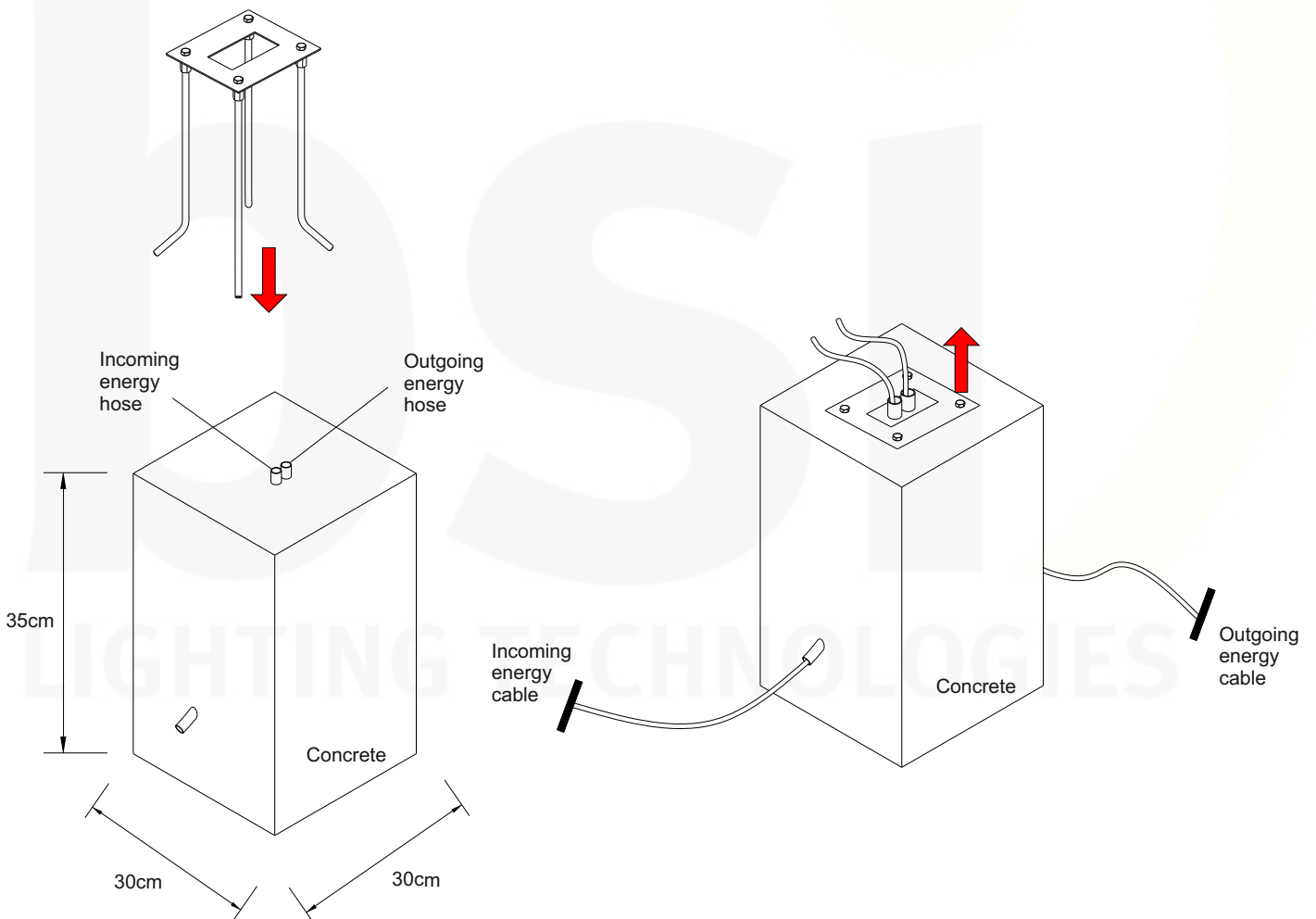
NOTES:

- Technical amendments are reserved.
- CE – Conformity mark
- The manufacturer is then discharged from liability when damage is caused by improper use or installation.
- Clean luminaire regularly with solvent-free cleansers from dirt and deposits. Do not use high pressure cleaners.

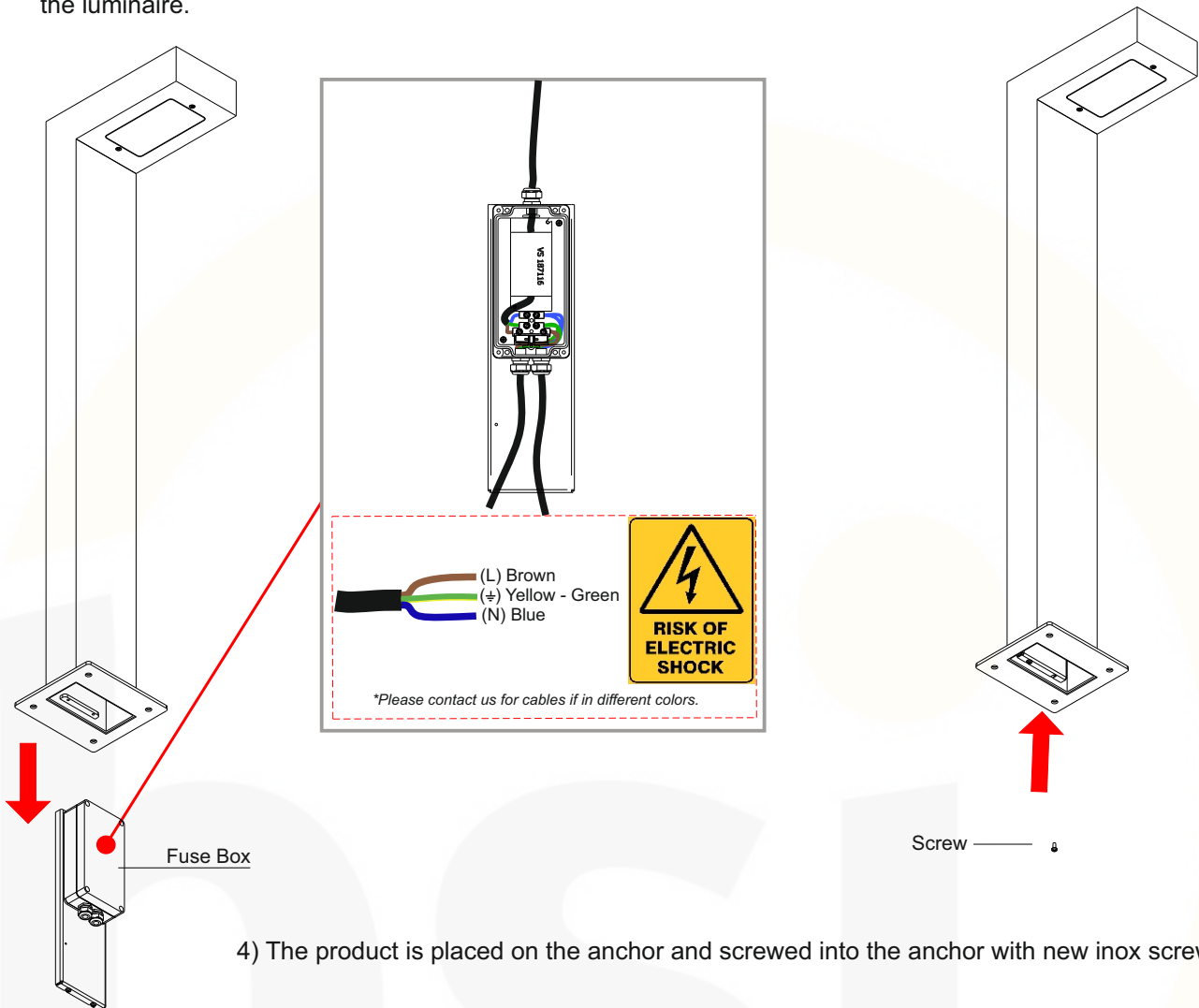
- 1) Gijons are mounted to anchor.
**Do not remove the screws on the anchorage.*



- 2) - The prepared anchor is embedded in the concrete and leveled.
 - After the concrete is dried, the energy cabling is done and temporary screws on the anchor are removed.



- 3) -Take it out from under the luminaire by unscrewing the fuse box.
- Make the electrical connection and insert the fuse box back into the luminaire.



- 4) The product is placed on the anchor and screwed into the anchor with new inox screws.

