



## Key Features

LED lighting with innovative technology and modern design.

iMistral offers outstanding light efficiency and integrates itself through the design into historic and modern surroundings with wide beam asymmetrical optics.

The LED system offers durability and optimal lumen output. BSISQ® LED Module integrated.

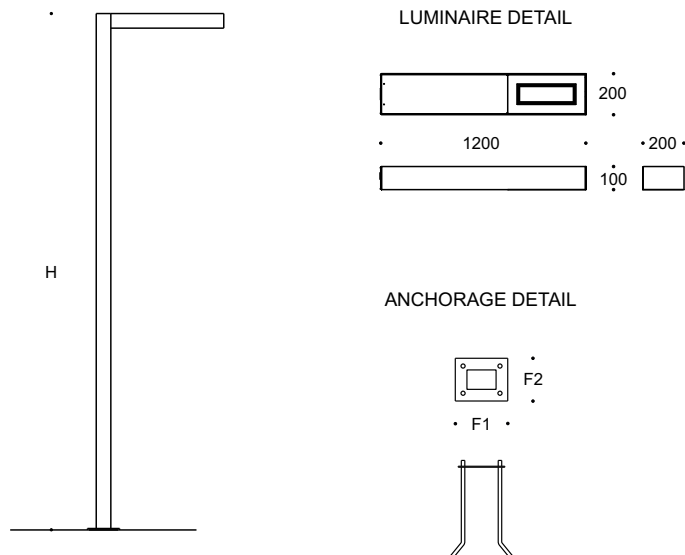
Designed to last in extremely harsh environments.



## Key Data

<b>LED Type</b>	High efficiency LEDs, available in 2700K, 3000K, 4000K, 5000K, 6500K CCT tolerance within a 3-step MacAdams ellipse and LM80 compliant.
<b>Nominal Voltage</b>	220V-240V AC, 50/60Hz
<b>Color Rendering Index</b>	CRI ≥ 80 standard and CRI ≥ 90 on request.
<b>Light Distribution</b>	60° / 90° / M3
<b>Materials</b>	Corrosion resistant double layer polyester powder coated paint finish die cast aluminium housing, aluminium extruded column (EN AW-6060) with stainless steel screws (A4 grade) and silicone gaskets. Power unit is built in. Available in anthracite gray as a standard finish or any desired RAL colour.
<b>Optional Coating</b>	Marine grade.
<b>Diffuser</b>	Thermal-shock resistant tempered glass.
<b>LED Life Time</b>	L80 B10 70.000h Ta 25°C L80 B10 50.000h Ta 40°C
<b>Operating Temperature</b>	-40°C / +55°C
<b>Power Factor</b>	>0.95
<b>Control Systems</b>	On-Off, DALI Interface.
<b>Protection Class</b>	IP66
<b>Impact Resistance</b>	IK08
<b>Insulation Class</b>	Class I
<b>Conformity</b>	Complies with European Standards EN 60598 and CE certified.

Technical Drawing



Information

CODE	POWER CONSUMPTION	LUMEN OUTPUT (lm) 3000K / 4000K	COLOUR TEMPERATURE
LB1385	144W	19440 / 20448	3000K / 4000K

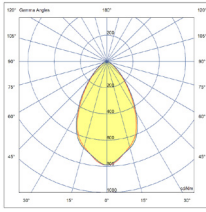
\*Anchorage set included.

\*Flange cover to be ordered separately.

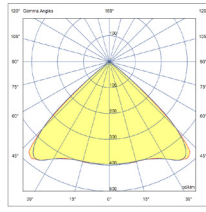
Poles

ALUMINIUM POLE	HEIGHT (mm)	DIMENSIONS (mm)	F1 x F2 (mm)
RCP514-AL	6000	200 x 100	300 x 220
RCP515-AL	7000	200 x 100	400 x 300
RCP516-AL	8000	200 x 100	400 x 300
RCP517-AL	9000	200 x 100	400 x 300
RCP518-AL	10000	200 x 100	400 x 300

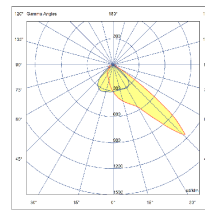
## Light Distribution Curve



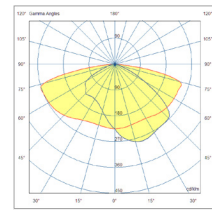
*Square Lens*  
60°



*Square Lens*  
90°



*Square Lens*  
Asymmetric 90°



*Square Lens*  
M3